



Spare parts list

(11944020) G 2500 VH

2005 12

91391800

www.kaercher.com

EN

CONTENT LIST

1.0 Frame

2.0 Pump set

2.1 Cylinder head

VERSION 1

2.2 Piston

VERSION 1

2.3 Cylinder head

VERSION 2

2.4 Piston

VERSION 2

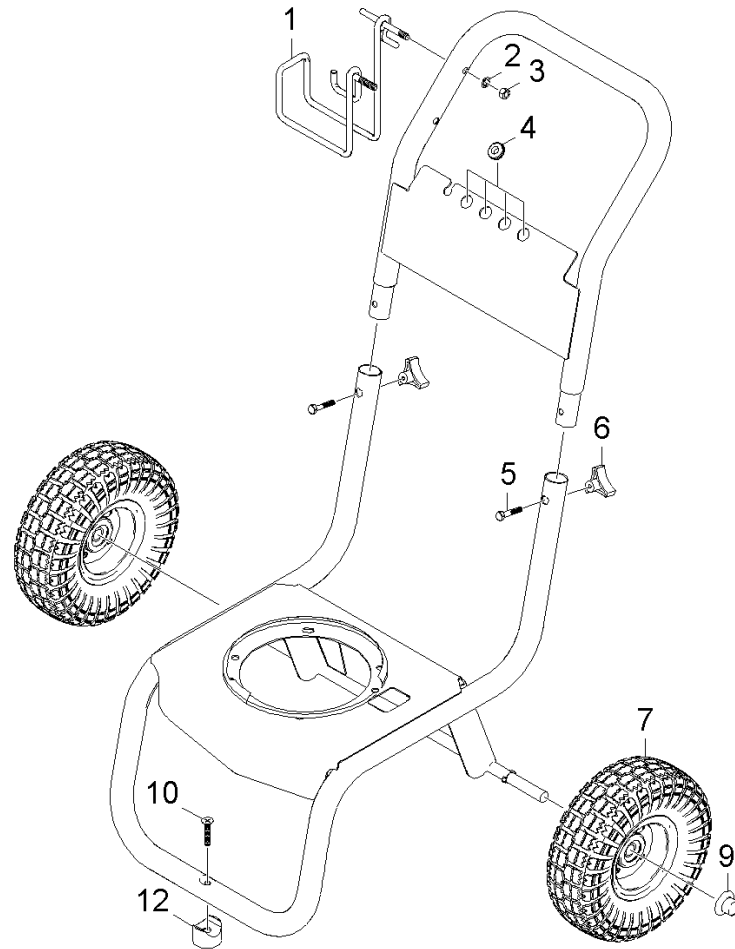
3.0 Motor

3.1 Motor

3.2 Transmission

4.0 Accessories

1.0 Frame



1.0 Frame

POS	DESCRIPTION	PART NO	QTY.	FROM SER.NR.	UP TO SER. NR.
	ADDITIONAL INFORMATIONS				
1	HANGER WELD ASSY 45DEG RIGHT (SOLO)	91420090	1		
2	5/16 INTERNAL L/W .332 ID X .620 OD ZINC	91980030	2		
3	5/16"-18 FINISHED HEX NUT ZINC	53101050	2		
4	Sleeve rubber	91772040	5		
5	1/4-20 x 1-1/2 GR 2 HEX BOLT ZINC	91963070	2		
6	KNOB 1/4"-20,3PT. STAR	91823530	2		
7	WHEEL YELLOW RIM 10" X 3.50" PNEUMATIC	91890130	2		
9	CAP BLACK PLASTIC,5/8"FASTENER	91825060	2		
10	FLAT HEAD M/S 5/16-18X1-1/2"	91960300	1		
12	RUBBER DAMPENER	91834080	1		

2.0 Pump set

2.1 Cylinder head

VERSION 1

2.2 Piston

VERSION 1

2.3 Cylinder head

VERSION 2

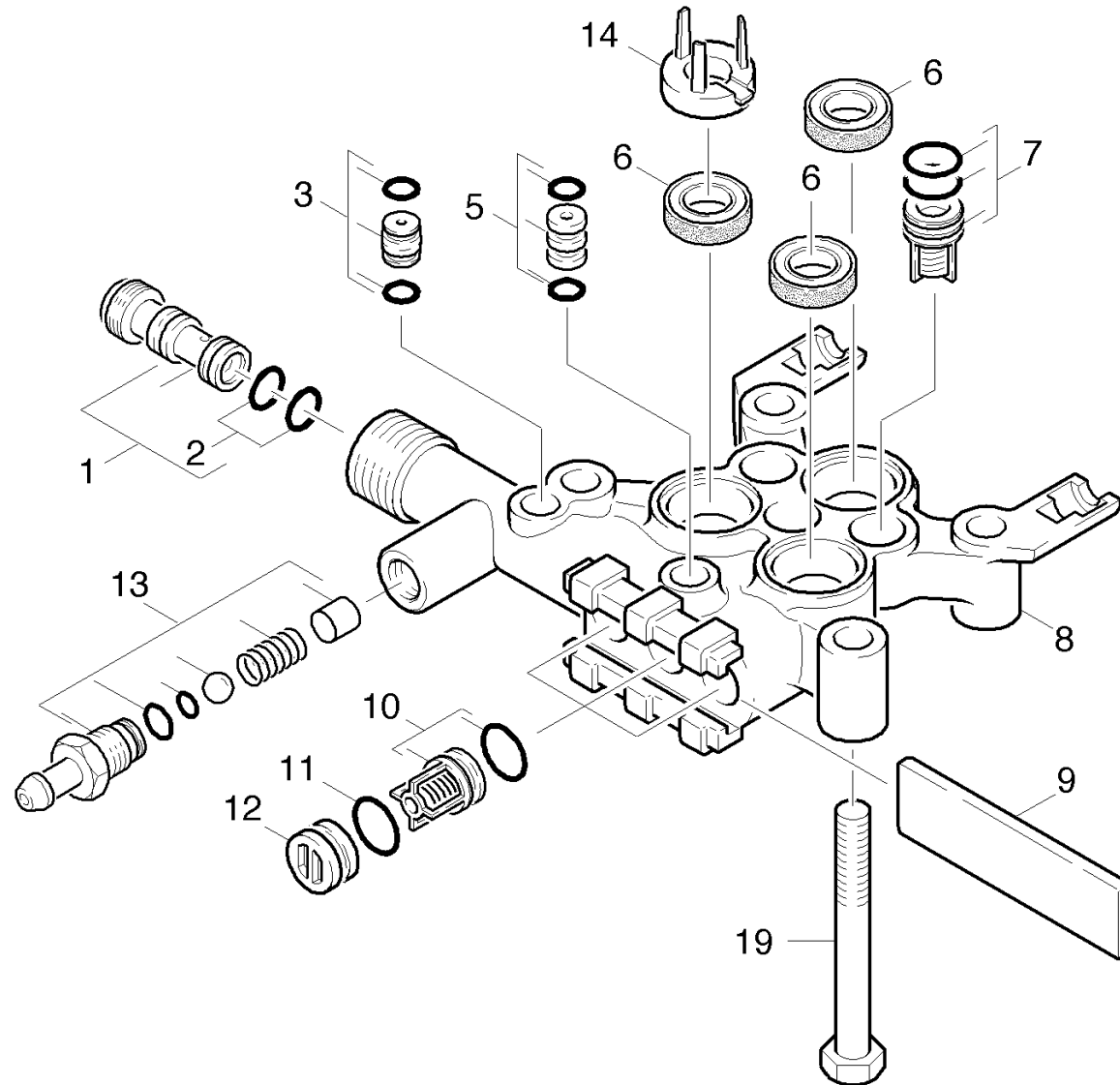
2.4 Piston

VERSION 2



2.1 Cylinder head

VERSION 1



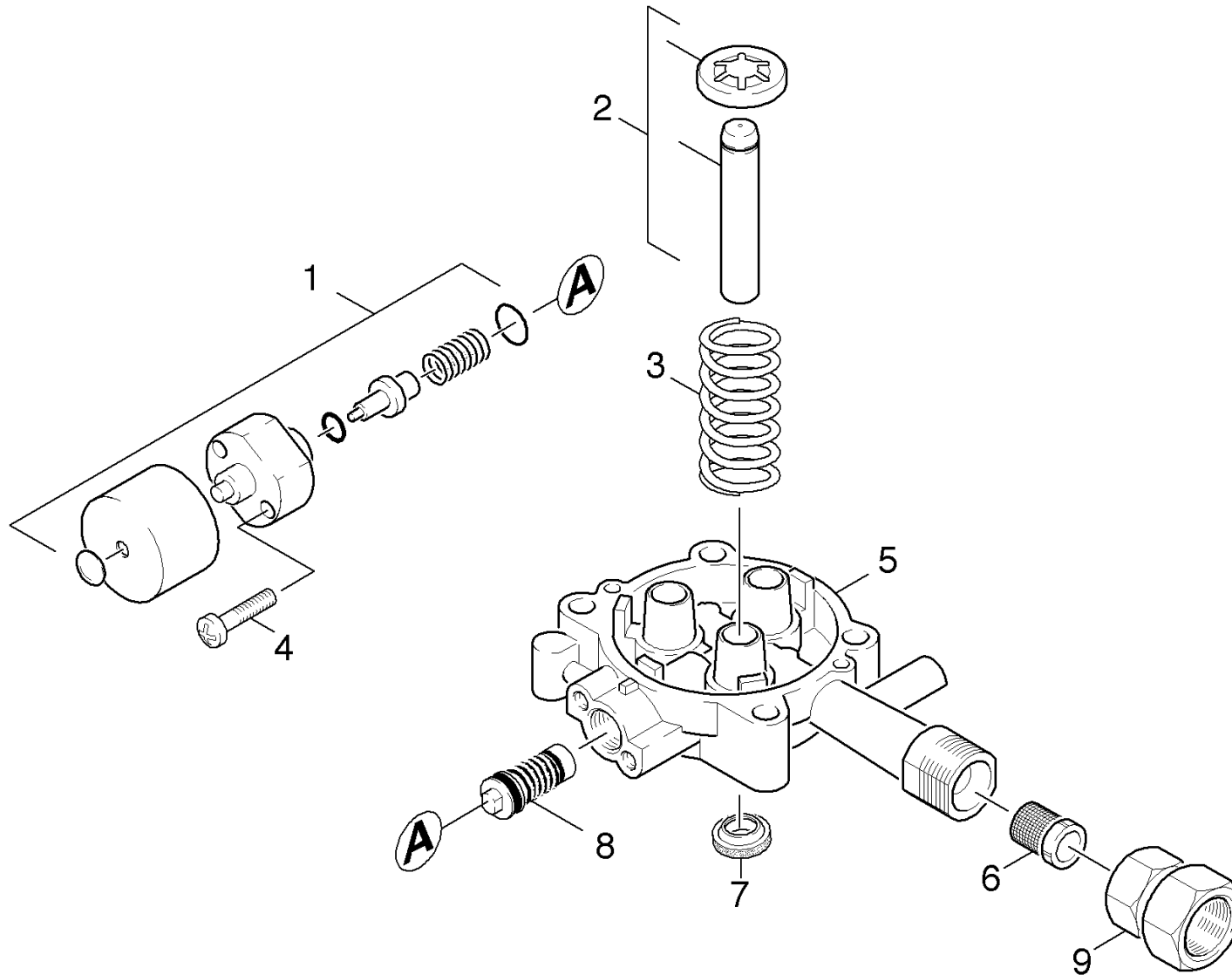
2.1 Cylinder head

VERSION 1

POS	DESCRIPTION ADDITIONAL INFORMATIONS	PART NO	QTY.	FROM SER.NR.	UP TO SER. NR.
1	Nozzle insert	47690350	1		
2	O-Ring seal 9,0 x 1,5	63623840	2		
3	Throttle complete	40301090	1		
5	JOINING PIECE	40300450	1		
6	GROOVED RING 12X20X5.3/2.8	63653940	3		
7	VALVE	45803300	3		
8	CYLINDER HEAD	55502940	1		
9	Plate	50030620	1		
10	Valve (3 Stueck)	28848720	1		
11	O-Ring seal 11,0 x 2,0	63632730	3		
12	DRAIN PLUG	41320070	3		
13	Spare part set chemistry	28838620	1		
14	WASHER	51159030	3		
19	Hexagonal head screw M 8x75-8.8-A2E ISO	73044030	4		

2.2 Piston

VERSION 1



2.2 Piston

VERSION 1

POS	DESCRIPTION ADDITIONAL INFORMATIONS	PART NO	QTY.	FROM SER.NR.	UP TO SER. NR.
1	VALVE 60 GRD	45803600	1		
2	PISTON KPL.	45532150	3		
3	Pressure spring	53323910	3		
4	Screw M6x30 -St-R3R (In6Rd)	73030660	2		
5	PISTON GUIDANCE	50608380	1		
6	FILTER	64142520	1		
7	Oil sealing 12x20x4/6	63653930	3		
8	SPILL VALVE	45910400	1		
9	SWIVEL ADAPTOR G-3/4 W/2-WASHERS	91540090	1		

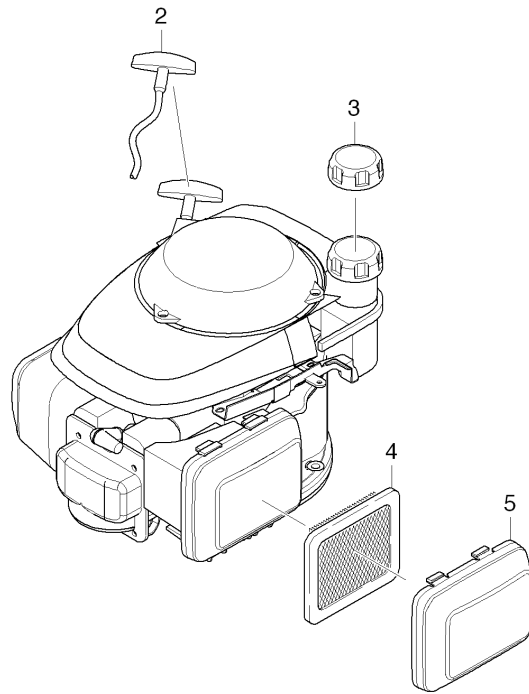
3.0 Motor

3.1 Motor

3.2 Transmission



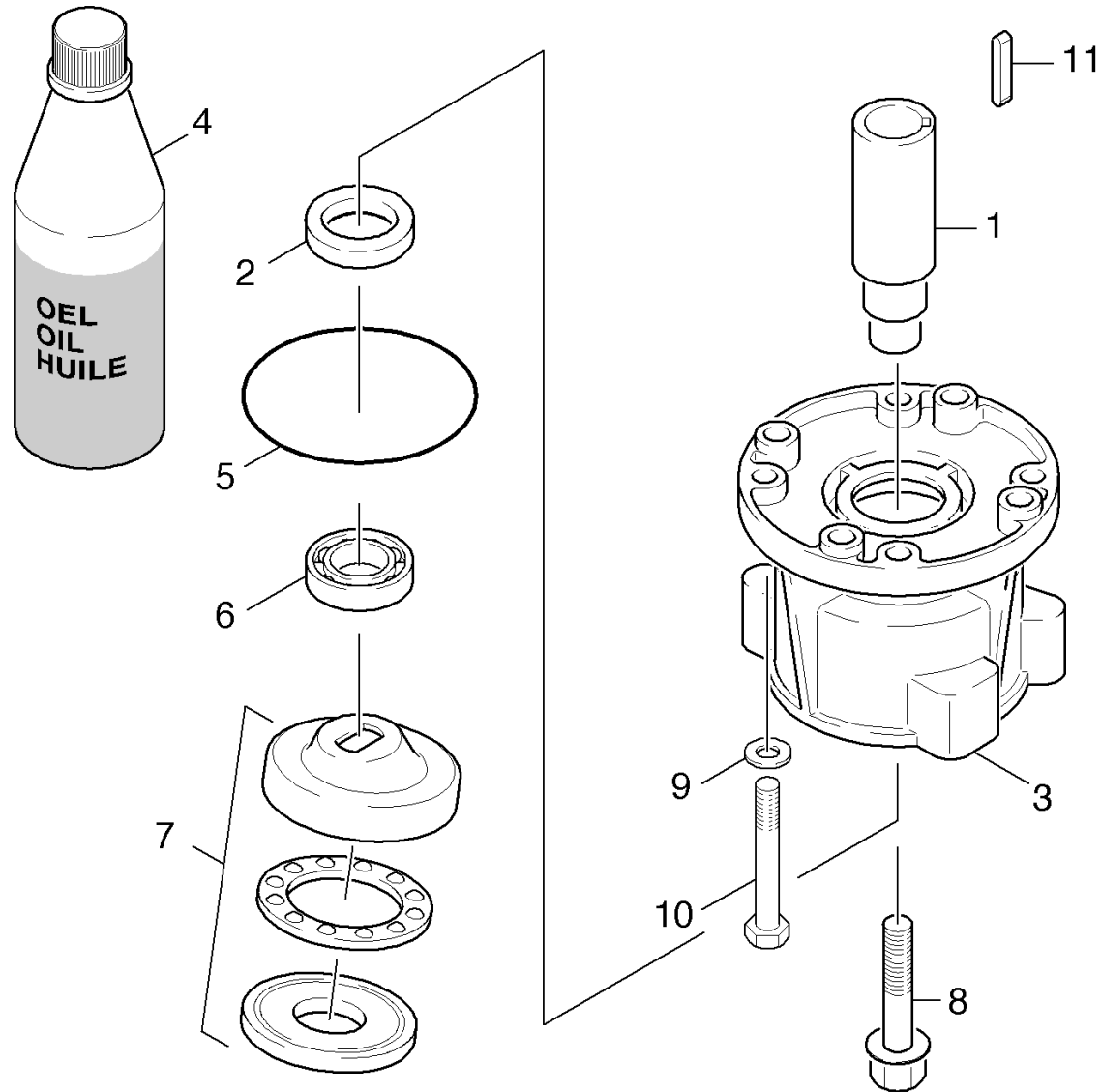
3.1 Motor



3.1 Motor

POS	DESCRIPTION ADDITIONAL INFORMATIONS	PART NO	QTY.	FROM SER.NR.	UP TO SER. NR.
2	HANDLE	64915030	1		
3	GC 160 GAS CAP	91945480	1		
4	AIR FILTER ELEMENT	64917260	1		
5	COVER	91945430	1		

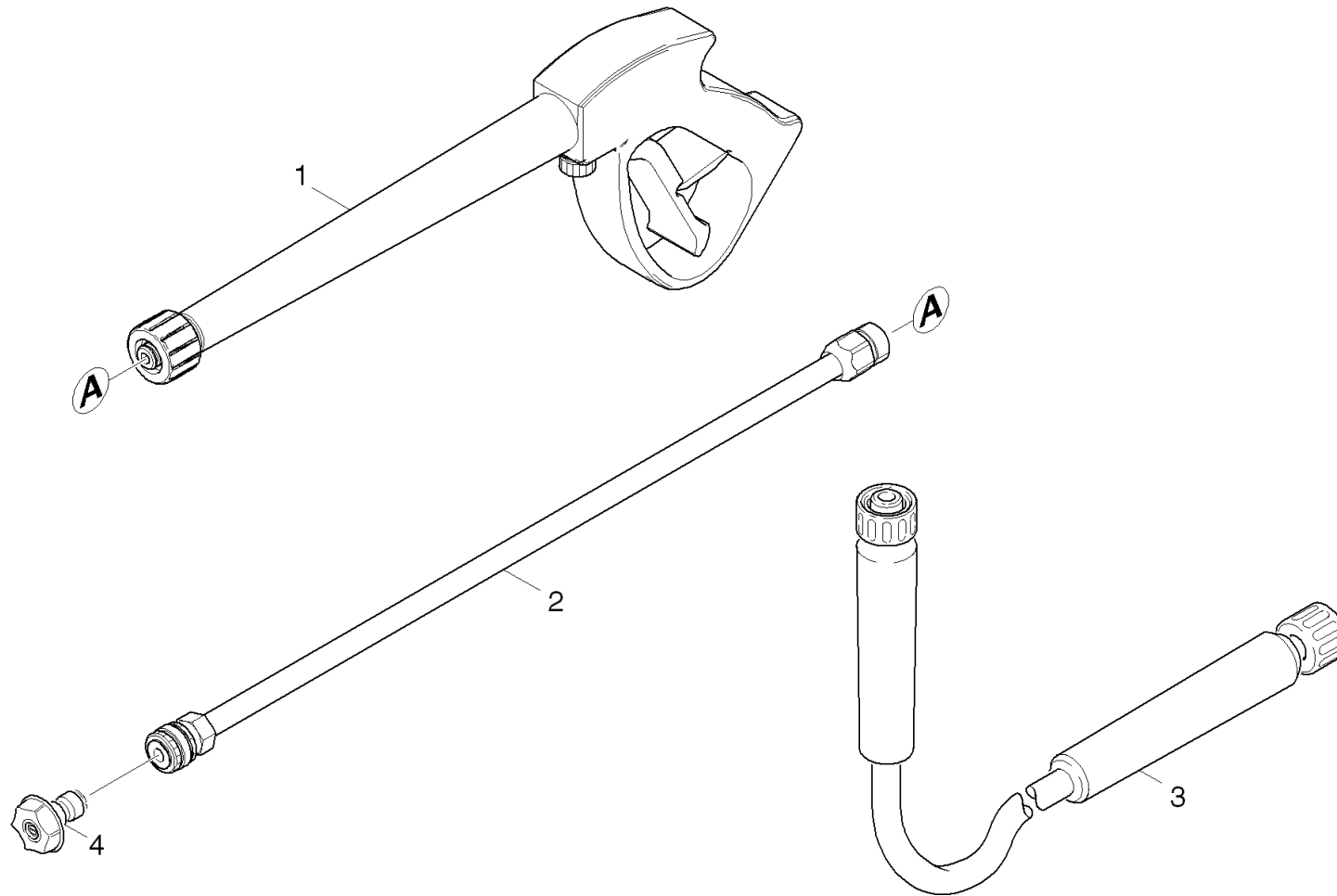
3.2 Transmission



3.2 Transmission

POS	DESCRIPTION ADDITIONAL INFORMATIONS	PART NO	QTY.	FROM SER.NR.	UP TO SER. NR.
1	PUMP SHAFT (VERT.)	91540310	1		
2	Radial shaft seal ring A26x37x7 -NBR DI	73670180	1		
3	HOUSING-VERTICAL	91350010	1		
4	OIL 1 LITRE	62880500	1		
5	O RING 80 X 3	63624710	1		
6	Ball bearing	90870100	1		
7	SWASH PLATE	64012890	1		
8	M6 X 19 TORX DRIVE W/WASHER SEMS CLASS	63040480	1		
9	5/16" SPLIT LOCK WASHER ZINC	51156560	4		
10	5/16-24UNF X 1.75 SOCKET HEAD CAP SCREW	91960330	4		
11	SHAFT KEY	91945920	1		

4.0 Accessories



4.0 Accessories

POS	DESCRIPTION ADDITIONAL INFORMATIONS	PART NO	QTY.	FROM SER.NR.	UP TO SER. NR.
1	3200psi MV GUN KAERCHER	91120200	1		
2	LANCE- AL QUICK CONNECT MALE 3000 PSI	91125260	1		
3	HP HOSE DN6/25'/3000/KA/BLK/PLSTC	91623210	1		
4	QUICK CONNECT NOZZLE KIT (0325)	91040160	1		